

THE NEXT GENERATION OF BATTERY HANDLING EQUIPMENT

PROSERIES®

BATTERY ROLLER STANDS (BRS)

Our comprehensive range of single, double, triple & quad roller stands has proven to be the global standard in dependable and robust design. All models are precisely engineered and constructed with a fully welded oversized frame, oversized spring-loaded rollers and bearings plus integrated safety and bump stops to maximize asset protection.

Each stand is finished in acid-proof powder coating and has a comprehensive range of options including integrated drip trays, charger shelves, direct ventilation, and cable management systems.

Also available:
Multi-level roller stands from 2 – 6 levels.



STATIONARY BATTERY RACKS (SBR)

Our SBR battery handling equipment models are uniquely designed with left-to-right rail alignment - meaning no minimum battery widths or risk of a battery falling through if placed incorrectly.

These rails are sealed steel with a polypropylene sleeve and end cap design for electrolyte drainage in case of a battery spill, longer service life and less impact on your workspace. With the option of bolt-on charger shelves, integrated ventilation, drip trays and three standard sizes, the SBR battery handling equipment is the ideal choice for any lift-out application and can be tightly integrated into a mixed lift-out/roll-out system design.





SINGLE BATTERY STAND

MAXIMUM BATTERY SIZE

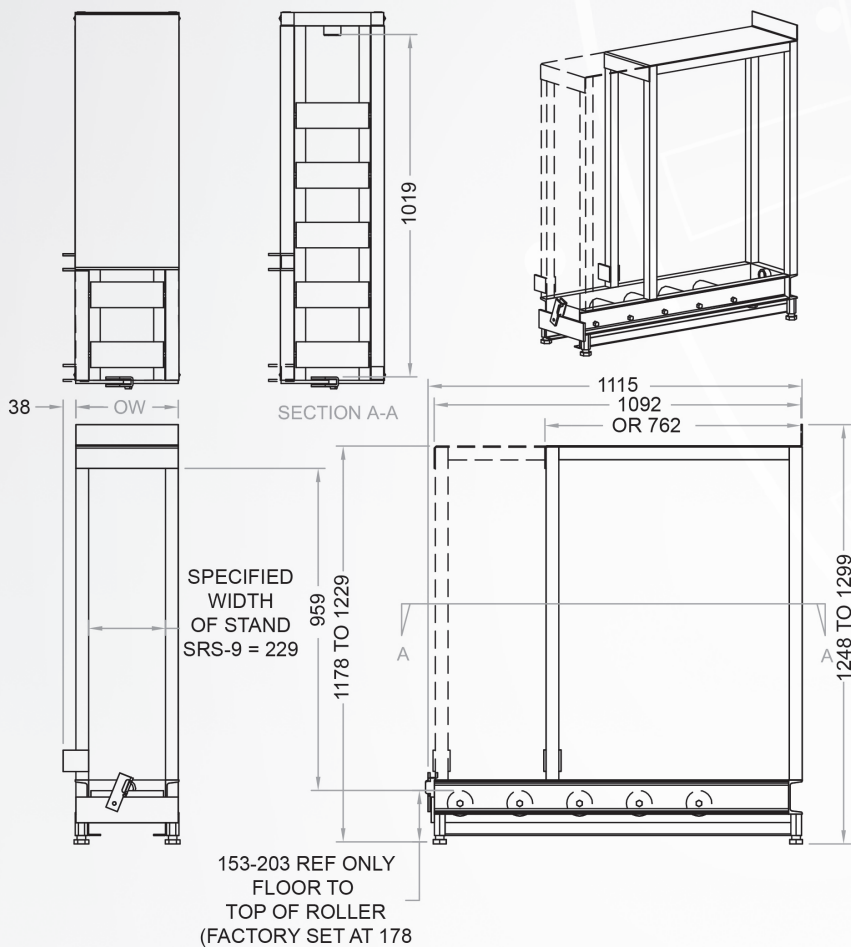
- Depth:** 1016mm **Custom depth:** for batteries longer than 1019mm, custom lengths are available.

- Width:** Specified width of stand minus 50.8mm

- Height:** 934mm

- Note:** Full shelf depth 1092mm for ventilation

- Overall width:** Specified width of stands plus 77mm



ADJUSTABLE BACK STOPS

BATTERY MINIMUM LENGTH	BATTERY MAXIMUM LENGTH	PART NUMBER
915	1016	NOT REQ'D
839	915	RSAB-4.5
762	839	RSAB-7.5
686	762	RSAB-10.5
610	686	RSAB-13.5
539	610	RSAB-16.5





SINGLE BATTERY STAND

Single Battery Stand Specifications

No. of Comp	Base Part No.	Description	Max Battery Width	Max Battery Length	Overall Roller Width	Overall Roller Depth	Overall Stand Width	Overall Stand Depth
			mm	mm	mm	mm	mm	mm
1	SRS-9-7-C-CS	Single Roller Stand/C-CS/with Charger Shelf	178	1016	203	1019	305	1092
1	SRS-12-7-C-CS	Single Roller Stand/C-CS/with Charger Shelf	254	1016	279	1019	381	1092
1	SRS-13-7-C-CS	Single Roller Stand/C-CS/with Charger Shelf	279	1016	305	1019	406	1092
1	SRS-15-7-C-CS	Single Roller Stand/C-CS/with Charger Shelf	330	1016	356	1019	457	1092
1	SRS-16-7-C-CS	Single Roller Stand/C-CS/with Charger Shelf	356	1016	381	1019	483	1092
1	SRS-17-7-C-CS	Single Roller Stand/C-CS/with Charger Shelf	381	1016	406	1019	508	1092
1	SRS-18-7-C-CS	Single Roller Stand/C-CS/with Charger Shelf	406	1016	432	1019	533	1092
1	SRS-19-7-C-CS	Single Roller Stand/C-CS/with Charger Shelf	432	1016	457	1019	559	1092
1	SRS-20-7-C-CS	Single Roller Stand/C-CS/with Charger Shelf	457	1016	483	1019	584	1092
1	SRS-21-7-C-CS	Single Roller Stand/C-CS/with Charger Shelf	483	1016	508	1019	610	1092
1	SRS-22-7-C-CS	Single Roller Stand/C-CS/with Charger Shelf	508	1016	533	1019	635	1092
1	SRS-23-7-C-CS	Single Roller Stand/C-CS/with Charger Shelf	533	1016	559	1019	660	1092
1	SRS-24-7-C-CS	Single Roller Stand/C-CS/with Charger Shelf	559	1016	584	1019	686	1092
1	SRS-25-7-C-CS	Single Roller Stand/C-CS/with Charger Shelf	584	1016	610	1019	711	1092
1	SRS-26-7-C-CS	Single Roller Stand/C-CS/with Charger Shelf	610	1016	635	1019	737	1092
1	SRS-27-7-C-CS	Single Roller Stand/C-CS/with Charger Shelf	635	1016	660	1019	762	1092
1	SRS-28-7-C-CS	Single Roller Stand/C-CS/with Charger Shelf	660	1016	686	1019	787	1092
1	SRS-29-7-C-CS	Single Roller Stand/C-CS/with Charger Shelf	686	1016	711	1019	813	1092
1	SRS-30-7-C-CS	Single Roller Stand/C-CS/with Charger Shelf	711	1016	737	1019	838	1092
1	SRS-31-7-C-CS	Single Roller Stand/C-CS/with Charger Shelf	737	1016	762	1019	864	1092
1	SRS-32-7-C-CS	Single Roller Stand/C-CS/with Charger Shelf	762	1016	787	1019	889	1092
1	SRS-33-7-C-CS	Single Roller Stand/C-CS/with Charger Shelf	787	1016	813	1019	914	1092
1	SRS-34-7-C-CS	Single Roller Stand/C-CS/with Charger Shelf	813	1016	838	1019	940	1092
1	SRS-35-7-C-CS	Single Roller Stand/C-CS/with Charger Shelf	838	1016	864	1019	965	1092
1	SRS-36-7-C-CS	Single Roller Stand/C-CS/with Charger Shelf	864	1016	889	1019	991	1092
1	SRS-37-7-C-CS	Single Roller Stand/C-CS/with Charger Shelf	889	1016	914	1019	1016	1092
1	SRS-38-7-C-CS	Single Roller Stand/C-CS/with Charger Shelf	914	1016	940	1019	1041	1092
1	SRS-39-7-C-CS	Single Roller Stand/C-CS/with Charger Shelf	940	1016	965	1019	1067	1092
1	SRS-40-7-C-CS	Single Roller Stand/C-CS/with Charger Shelf	965	1016	991	1019	1092	1092
1	SRS-41-7-C-CS	Single Roller Stand/C-CS/with Charger Shelf	991	1016	1016	1019	1118	1092
1	SRS-42-7-C-CS	Single Roller Stand/C-CS/with Charger Shelf	1016	1016	1041	1019	1143	1092
1	SRS-43-7-C-CS	Single Roller Stand/C-CS/with Charger Shelf	1041	1016	1067	1019	1168	1092
1	SRS-44-7-C-CS	Single Roller Stand/C-CS/with Charger Shelf	1067	1016	1092	1019	1194	1092
1	SRS-45-7-C-CS	Single Roller Stand/C-CS/with Charger Shelf	1092	1016	1118	1019	1219	1092
1	SRS-46-7-C-CS	Single Roller Stand/C-CS/with Charger Shelf	1118	1016	1143	1019	1245	1092
1	SRS-47-7-C-CS	Single Roller Stand/C-CS/with Charger Shelf	1143	1016	1168	1019	1270	1092
1	SRS-48-7-C-CS	Single Roller Stand/C-CS/with Charger Shelf	1168	1016	1194	1019	1295	1092

Note: For batteries longer than 1019mm, Custom lengths are available. Please contact us for more information.



Working in Partnership with Carney Battery Handling Ltd





DOUBLE BATTERY STAND

MAXIMUM BATTERY SIZE

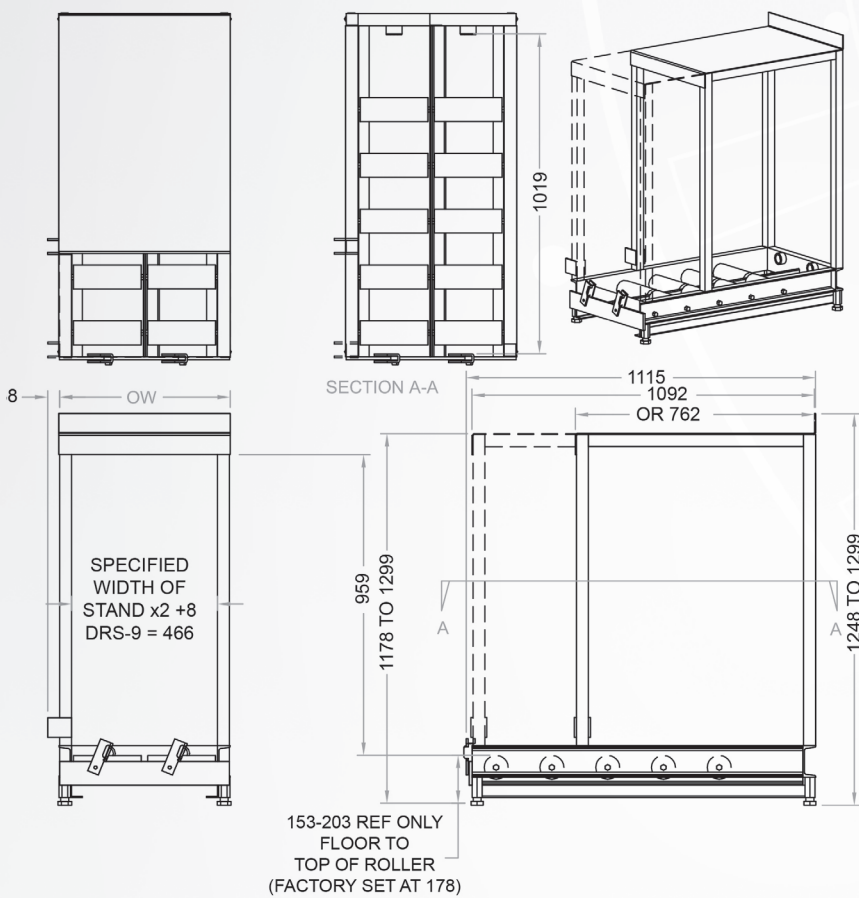
- Depth:** 1016mm **Custom depth:** for batteries longer than 1019mm, custom lengths are available.

- Width:** Specified width of stand minus 50.8mm

- Height:** 934mm

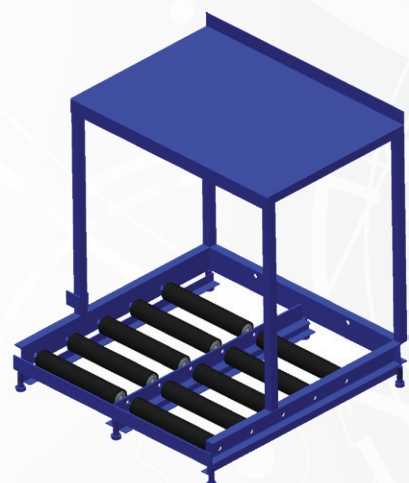
- Note:** Full shelf depth 1092mm for ventilation

- Overall width:** Specified width of stands 2 plus 85mm



ADJUSTABLE BACK STOPS

BATTERY MINIMUM LENGTH	BATTERY MAXIMUM LENGTH	PART NUMBER
915	1016	NOT REQ'D
839	915	RSAB-4.5
762	839	RSAB-7.5
686	762	RSAB-10.5
610	686	RSAB-13.5
539	610	RSAB-16.5





DOUBLE BATTERY STAND

Double Battery Stand Specifications

No. of Comp	Base Part No.	Description	Max Battery Width	Max Battery Length	Overall Roller Width	Overall Roller Depth	Overall Stand Width	Overall Stand Depth
			mm	mm	mm	mm	mm	mm
2	DRS-9-7-C-CS	Double Roller Stand/C-CS/With Charger Shelf	178	1016	203	1019	540	1092
2	DRS-12-7-C-CS	Double Roller Stand/C-CS/With Charger Shelf	254	1016	279	1019	692	1092
2	DRS-13-7-C-CS	Double Roller Stand/C-CS/With Charger Shelf	279	1016	305	1019	743	1092
2	DRS-15-7-C-CS	Double Roller Stand/C-CS/With Charger Shelf	330	1016	356	1019	845	1092
2	DRS-16-7-C-CS	Double Roller Stand/C-CS/With Charger Shelf	356	1016	381	1019	895	1092
2	DRS-17-7-C-CS	Double Roller Stand/C-CS/With Charger Shelf	381	1016	406	1019	946	1092
2	DRS-18-7-C-CS	Double Roller Stand/C-CS/With Charger Shelf	406	1016	432	1019	997	1092
2	DRS-19-7-C-CS	Double Roller Stand/C-CS/With Charger Shelf	432	1016	457	1019	1048	1092
2	DRS-20-7-C-CS	Double Roller Stand/C-CS/With Charger Shelf	457	1016	483	1019	1099	1092
2	DRS-21-7-C-CS	Double Roller Stand/C-CS/With Charger Shelf	483	1016	508	1019	1149	1092
2	DRS-22-7-C-CS	Double Roller Stand/C-CS/With Charger Shelf	508	1016	533	1019	1200	1092
2	DRS-23-7-C-CS	Double Roller Stand/C-CS/With Charger Shelf	533	1016	559	1019	1251	1092
2	DRS-24-7-C-CS	Double Roller Stand/C-CS/With Charger Shelf	559	1016	584	1019	1302	1092
2	DRS-25-7-C-CS	Double Roller Stand/C-CS/With Charger Shelf	584	1016	610	1019	1353	1092
2	DRS-26-7-C-CS	Double Roller Stand/C-CS/With Charger Shelf	610	1016	635	1019	1403	1092
2	DRS-27-7-C-CS	Double Roller Stand/C-CS/With Charger Shelf	635	1016	660	1019	1454	1092
2	DRS-28-7-C-CS	Double Roller Stand/C-CS/With Charger Shelf	660	1016	686	1019	1505	1092
2	DRS-29-7-C-CS	Double Roller Stand/C-CS/With Charger Shelf	686	1016	711	1019	1556	1092
2	DRS-30-7-C-CS	Double Roller Stand/C-CS/With Charger Shelf	711	1016	737	1019	1607	1092
2	DRS-31-7-C-CS	Double Roller Stand/C-CS/With Charger Shelf	737	1016	762	1019	1657	1092
2	DRS-32-7-C-CS	Double Roller Stand/C-CS/With Charger Shelf	762	1016	787	1019	1708	1092
2	DRS-33-7-C-CS	Double Roller Stand/C-CS/With Charger Shelf	787	1016	813	1019	1759	1092
2	DRS-34-7-C-CS	Double Roller Stand/C-CS/With Charger Shelf	813	1016	838	1019	1810	1092
2	DRS-35-7-C-CS	Double Roller Stand/C-CS/With Charger Shelf	838	1016	864	1019	1861	1092
2	DRS-36-7-C-CS	Double Roller Stand/C-CS/With Charger Shelf	864	1016	889	1019	1911	1092

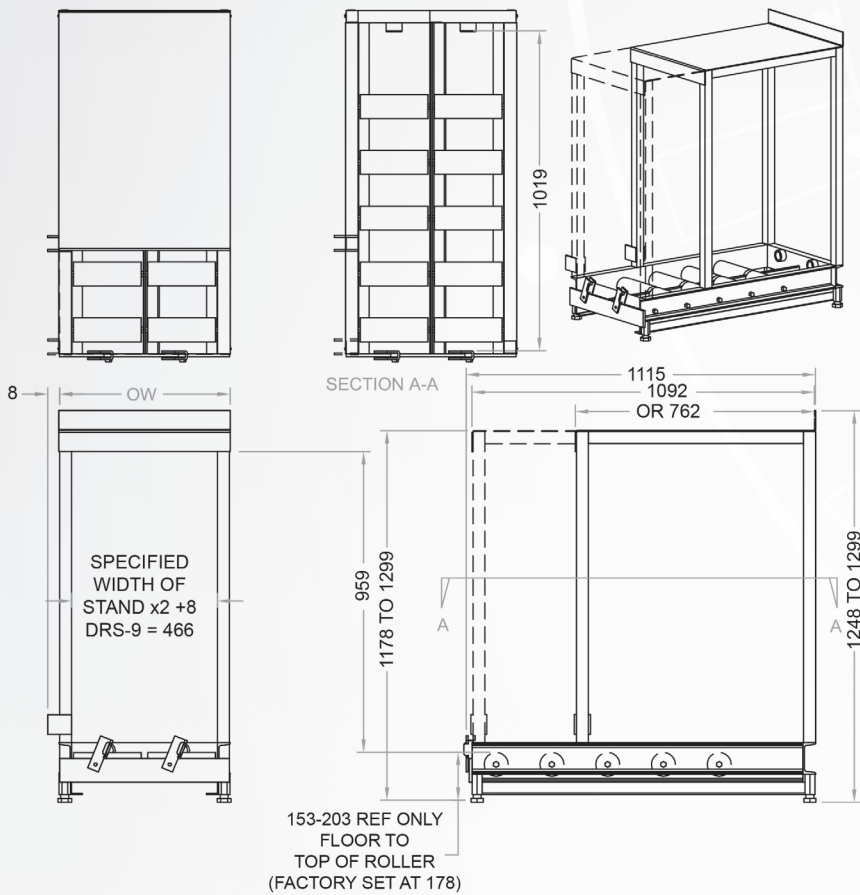
Note: For batteries longer than 1019mm, Custom lengths are available. Please contact us for more information.



TRIPLE BATTERY STAND

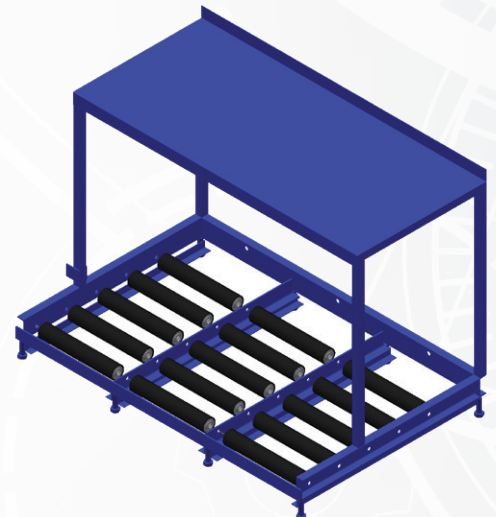
MAXIMUM BATTERY SIZE

- Depth:** 1016mm **Custom depth:** for batteries longer than 1019mm, custom lengths are available.
-
- Width:** Specified width of stand minus 50.8mm
-
- Height:** 934mm
-
- Note:** Full shelf depth 1092mm for ventilation
-
- Overall width:** Specified width of stands 3 plus 92mm



ADJUSTABLE BACK STOPS

BATTERY MINIMUM LENGTH	BATTERY MAXIMUM LENGTH	PART NUMBER
915	1016	NOT REQ'D
839	915	RSAB-4.5
762	839	RSAB-7.5
686	762	RSAB-10.5
610	686	RSAB-13.5
539	610	RSAB-16.5





TRIPLE BATTERY STAND

Triple Battery Stand Specifications

No. of Comp	Base Part No.	Description	Max Battery Width	Max Battery Length	Overall Roller Width	Overall Roller Depth	Overall Stand Width	Overall Stand Depth
			mm	mm	mm	mm	mm	mm
3	TRS-9-7-C-CS	Triple Roller Stand/C-CS/With Charger Shelf	178	1016	203	1019	775	1092
3	TRS-12-7-C-CS	Triple Roller Stand/C-CS/With Charger Shelf	254	1016	279	1019	1003	1092
3	TRS-13-7-C-CS	Triple Roller Stand/C-CS/With Charger Shelf	279	1016	305	1019	1080	1092
3	TRS-15-7-C-CS	Triple Roller Stand/C-CS/With Charger Shelf	330	1016	356	1019	1232	1092
3	TRS-16-7-C-CS	Triple Roller Stand/C-CS/With Charger Shelf	356	1016	381	1019	1308	1092
3	TRS-17-7-C-CS	Triple Roller Stand/C-CS/With Charger Shelf	381	1016	406	1019	1384	1092
3	TRS-18-7-C-CS	Triple Roller Stand/C-CS/With Charger Shelf	406	1016	432	1019	1461	1092
3	TRS-19-7-C-CS	Triple Roller Stand/C-CS/With Charger Shelf	432	1016	457	1019	1537	1092
3	TRS-20-7-C-CS	Triple Roller Stand/C-CS/With Charger Shelf	457	1016	483	1019	1613	1092
3	TRS-21-7-C-CS	Triple Roller Stand/C-CS/With Charger Shelf	483	1016	508	1019	1689	1092
3	TRS-22-7-C-CS	Triple Roller Stand/C-CS/With Charger Shelf	508	1016	533	1019	1765	1092
3	TRS-23-7-C-CS	Triple Roller Stand/C-CS/With Charger Shelf	533	1016	559	1019	1842	1092
3	TRS-24-7-C-CS	Triple Roller Stand/C-CS/With Charger Shelf	559	1016	584	1019	1918	1092
3	TRS-25-7-C-CS	Triple Roller Stand/C-CS/With Charger Shelf	584	1016	610	1019	1994	1092
3	TRS-26-7-C-CS	Triple Roller Stand/C-CS/With Charger Shelf	610	1016	635	1019	2070	1092
3	TRS-27-7-C-CS	Triple Roller Stand/C-CS/With Charger Shelf	635	1016	660	1019	2146	1092

Note: For batteries longer than 1019mm, Custom lengths are available.
Please contact us for more information.



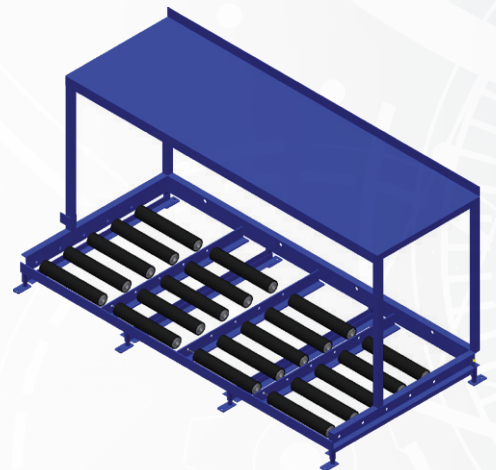
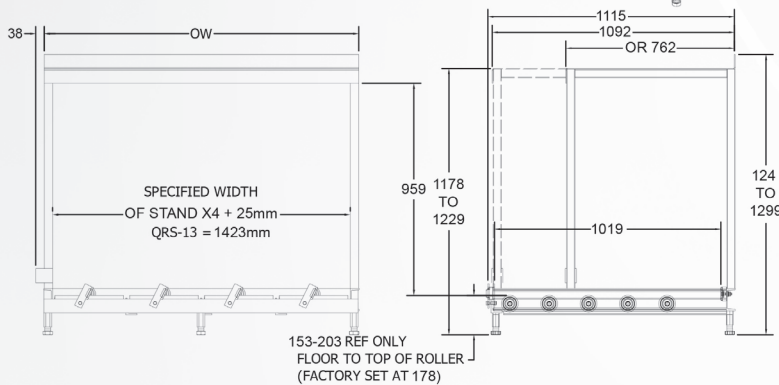
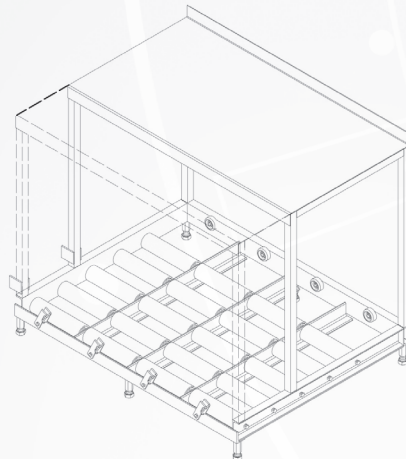
QUAD BATTERY STAND

MAXIMUM BATTERY SIZE

- Depth:** 1016mm **Custom depth:** for batteries longer than 1019mm, custom lengths are available.
- Width:** Specified width of stand minus 50.8mm
- Height:** 934mm
- Note:** Full shelf depth 1092mm for ventilation
- Overall width:** Specified width of stands 4 plus 101mm

ADJUSTABLE BACK STOPS

BATTERY MINIMUM LENGTH	BATTERY MAXIMUM LENGTH	PART NUMBER
915	1016	NOT REQ'D
839	915	RSAB-4.5
762	839	RSAB-7.5
686	762	RSAB-10.5
610	686	RSAB-13.5
539	610	RSAB-16.5





QUAD BATTERY STAND

Quad Battery Stand Specifications

No. of Comp	Base Part No.	Description	Max Battery Width	Max Battery Length	Overall Roller Width	Overall Roller Depth	Overall Stand Width	Overall Stand Depth
			mm	mm	mm	mm	mm	mm
4	QRS-9-7-C-CS	Quad Roller Stand/C-CS/With Charger Shelf	178	1016	203	1019	1016	1092
4	QRS-10-7-C-CS	Quad Roller Stand/C-CS/With Charger Shelf	203	1016	229	1019	1118	1092
4	QRS-11-7-C-CS	Quad Roller Stand/C-CS/With Charger Shelf	229	1016	254	1019	1219	1092
4	QRS-12-7-C-CS	Quad Roller Stand/C-CS/With Charger Shelf	254	1016	279	1019	1321	1092
4	QRS-13-7-C-CS	Quad Roller Stand/C-CS/With Charger Shelf	279	1016	305	1019	1422	1092
4	QRS-14-7-C-CS	Quad Roller Stand/C-CS/With Charger Shelf	305	1016	330	1019	1524	1092
4	QRS-15-7-C-CS	Quad Roller Stand/C-CS/With Charger Shelf	330	1016	356	1019	1626	1092
4	QRS-16-7-C-CS	Quad Roller Stand/C-CS/With Charger Shelf	356	1016	381	1019	1727	1092
4	QRS-17-7-C-CS	Quad Roller Stand/C-CS/With Charger Shelf	381	1016	406	1019	1829	1092
4	QRS-18-7-C-CS	Quad Roller Stand/C-CS/With Charger Shelf	406	1016	432	1019	1930	1092
4	QRS-19-7-C-CS	Quad Roller Stand/C-CS/With Charger Shelf	432	1016	457	1019	2032	1092
4	QRS-20-7-C-CS	Quad Roller Stand/C-CS/With Charger Shelf	457	1016	483	1019	2134	1092
4	QRS-21-7-C-CS	Quad Roller Stand/C-CS/With Charger Shelf	483	1016	508	1019	2235	1092

Note: For batteries longer than 1019mm, Custom lengths are available. Please contact us for more information.

OPTIONS AT ADDITIONAL COST

- **CL** – Custom Length roller stand
- **EH** – Custom Height rollers
- **ETH** – Custom Height charger shelf
- **DT** – Drip Tray Rails to support acid drip trays
- **DI** – All roller stands are available as ‘Drop-In’ beds for multi-level storage racks

- **Colour options** – Blue, Orange, Red, Yellow, Black

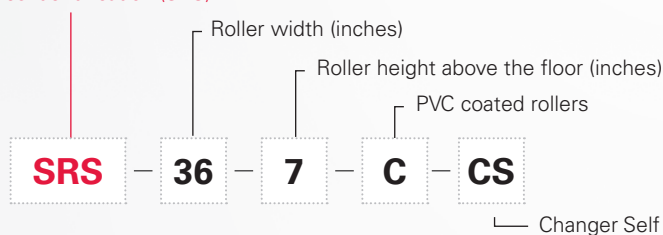
Note:

- Standard roller stand foot is threaded bolt with +/- 25mm height adjustment.
- All roller stands must be fitted into retaining channel (Part # H-RC-01)

MODEL/PART NUMBER BREAKDOWN

Example: SRS-36-7-C-CS

Series identification (SRS)

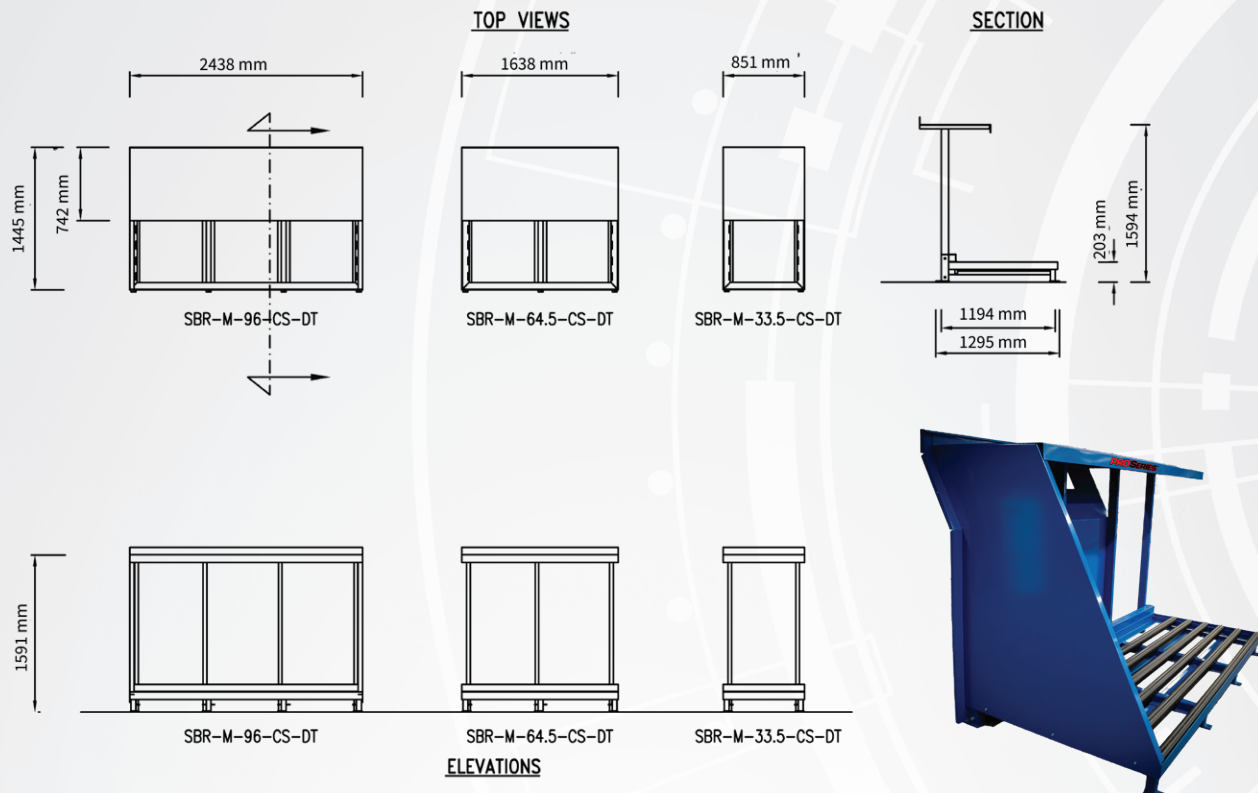


Working in Partnership with Carney Battery Handling Ltd





STATIONARY BATTERY RACKS



Stationary Battery Racks Specifications

No. of Comp	Base Part No.	Description	Standard Rack Elevation	Standard Shelf Width	Overall Roller Depth	Overall Stand Width	Overall Roller Bed Width
			mm	mm	mm	mm	mm
1	SBR-M-33.5	Modular Stationary Battery Rack	1591	743	1193	851	1445
2	SBR-M-64.5	Modular Stationary Battery Rack	1591	743	1193	1638	1445
3	SBR-M-96	Modular Stationary Battery Rack	1591	743	1193	2438	1445

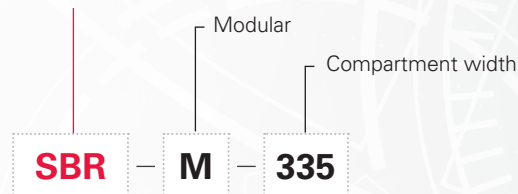
OPTIONS AT ADDITIONAL COST

- **CL** – Custom Length
- **EH** – Custom Height rollers
- **ETH** – Custom Height charger shelf
- **DT** – Drip Tray Rails to support acid drip trays
- **Colour options** – Blue, Orange, Red, Yellow, Black

MODEL/PART NUMBER BREAKDOWN

Example: SBR-M-335

Series identification (SBR)



Working in Partnership with Carney Battery Handling Ltd

www.enersys.com

©2024 EnerSys. All rights reserved. Trademarks and logos are the property of EnerSys and its affiliates except CE and UK CA. Subject to revisions without prior notice. E.&O.E
EMEA-EN-TD-PROS-BRS-SBR-1124

