

THE NEXT GENERATION OF BATTERY HANDLING EQUIPMENT

PRO SERIES®

MANUAL CHANGE CART (MCC)

Trusted for over 30 years, the CBH Manual Change Cart (MCC) has proven to be the industry standard in dependable and robust design.

If your operation includes a small fleet of pallet truck and order picker batteries, a manual extractor remains a low cost, yet effective solution. Engineered to allow safe and effective manual battery changes with minimal effort, the MCC battery handling equipment operates within its own guide channels. The operator benefits from integrated battery stops, foot braking and loading and unloading from both sides of the system.



ROLLER TRANSFER CART (RTC)

Simplicity at its finest, the RTC battery handling equipment is designed to service or transport lighter batteries and engineered to withstand harsh environments. Available in various heights and configurations to suit any application, the RTC battery handling equipment is perfect for traditional warehouses and can be configured to suit your operational needs.

A cost-effective, dependable solution for operations with small-scale battery changing requirements, the Roller Transfer Cart battery handling equipment offers a quick and efficient solution to keep your employees safe during every change.



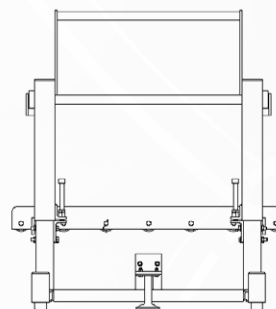
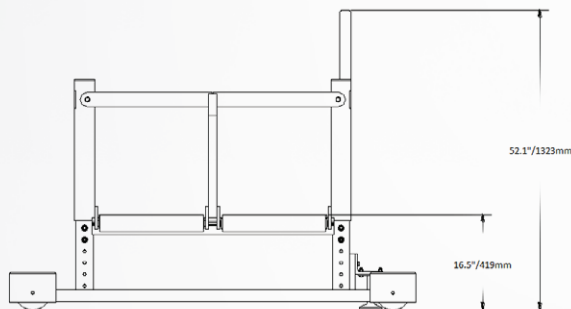
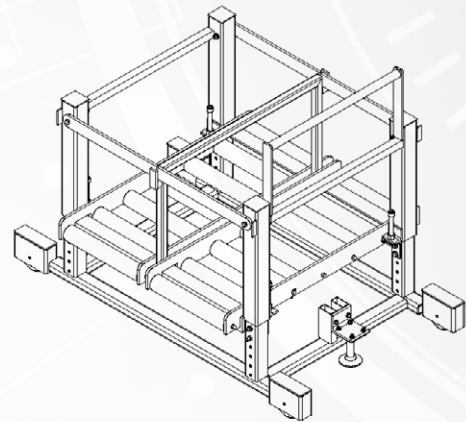
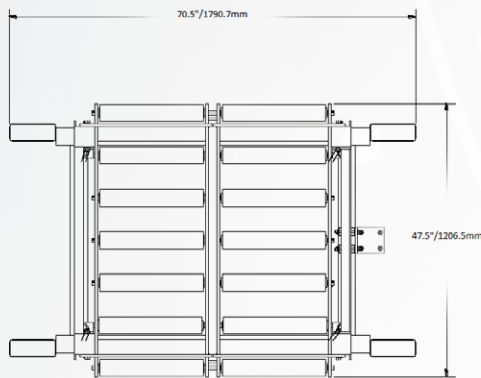
MANUAL CHANGE CART

SPECIALIZED ENGINEERING

The Manual Change Cart (MCC) hydraulic pump system raises and lowers the platform to support multiple roll-out heights or roller stands as required. The dual roller system also allows for staging of fresh batteries to further improve change times.

Expect quality and performance, right down to the floor lock. The Manual Change Cart is specially engineered for safety, reliability and performance. These ultra-low maintenance machines are perfect for small operations that require low-volume, efficient battery changing.

Widely acclaimed, the MCC battery handling equipment is the ideal low-volume solution to ensure operator safety. Its simplicity was intentionally engineered to reduce accidents and strain while maintaining equipment integrity.





MANUAL CHANGE CART

MCC SPECIFICATIONS

DESCRIPTION		STANDARD	METRIC
1	Hydraulic system		Manual pump
2	Capacity	3500 lbs	1587 kg
3	Service weight	713 lbs	324 kg
4	Roller diameter	3"	76.2 mm
5	Roller shaft size	11/16" Hex	17.3 mm
6	Minimum service aisle width	46 1/2"	1181.1 mm

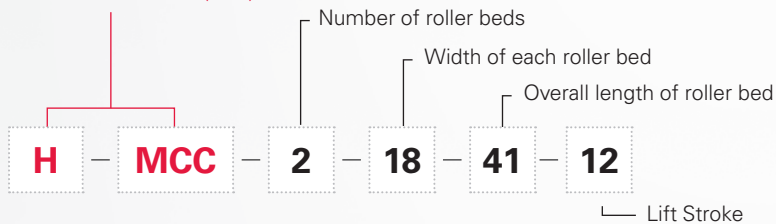
MCC DIMENSIONS

DESCRIPTION		STANDARD	METRIC
7	Overall length	69 3/4"	1771.7 mm
8	Overall width	40 1/2"	1027.7 mm
9	Overall height: raised / lowered	52" / 40"	1321 mm / 1016 mm
10	Ground to roller height (lowered position)	4 1/2"	114.3 mm
11	Ground to roller height (raised position)	16 1/2"	419 mm
12	Wheel base	61 3/4"	1568.5 mm
13	Centreline of drive wheel	37 1/2"	952.5 mm
14	Ground clearance	1"	25.4 mm
15	Battery compartment length	39 1/2"	1003.3 mm
16	Battery compartment width	18"	457.2 mm
17	Maximum battery length	39 1/2"	997 mm
18	Maximum battery width	17"	432 mm

MODEL/PART NUMBER BREAKDOWN

Example: H-MCC-2-18-41-12

Series identification (UTE)



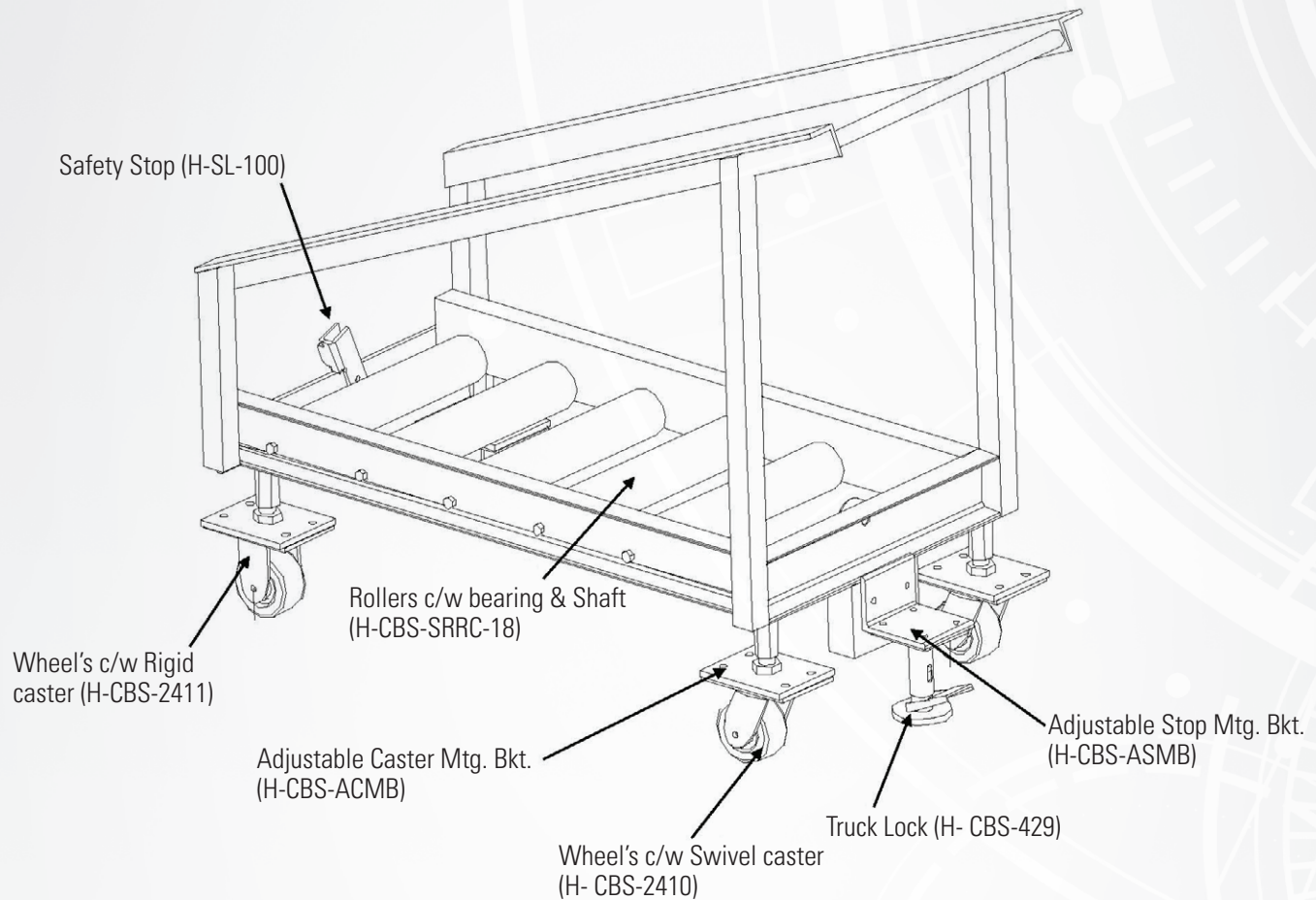
ROLLER TRANSFER CART

SPECIALIZED ENGINEERING

The Rolling Transfer Cart (RTC) is a great unit for truck users with just a few spare batteries. This practical device is available in 3 sizes and features twin roller-beds making it ideal for changing batteries on pallet trucks and order pickers. The RTC, complete with the discharged battery, can then be moved adjacent to the charger.

The metalwork is finished in acid resistant powder coat paint to ensure a long service life.

The rollers are 63mm diameter steel tube covered with 6mm PVC sleeves to improve grip and protect against corrosion.



ROLLER TRANSFER CART

RTC SPECIFICATIONS

DESCRIPTION		STANDARD	METRIC
1	Capacity	4000 lb	2268 kg
2	Service Weight (RTC-1-18)	704 lb	320.0 kg
3	Roller Diameter	3"	76.2 mm
4	Roller Shaft Size	11/16" Hex	17.3 mm
5	Model Color	Blue	

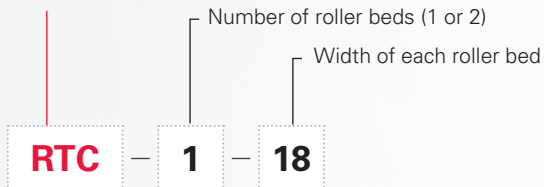
RTC DIMENSIONS

DESCRIPTION		STANDARD	METRIC
6	Overall Length (RTC-1-18)	50"	1270.0 mm
7	Overall Width	25"	635.0 mm
8	Overall Height: Raised	45"	1143.0 mm
9	Ground to Roller Height (Lowered Position)	11-1/2"	292.1 mm
10	Ground to Roller Height (Raised Position)	13-1/2"	349.9 mm
11	Wheel Base (RTC-1-18)	19-1/2"	495.3 mm
12	Ground Clearance	7/8"	3.4 mm
13	Battery Compartment Length	40"	1016 mm
14	Battery Compartment Width (RTC-1-18)	18"	457.2 mm

MODEL/PART NUMBER BREAKDOWN

Example: RTC-1-18

Series identification (UTE)



Working in Partnership with
Carney Battery Handling Ltd

www.enersys.com

©2024 EnerSys. All rights reserved. Trademarks and logos are the property of EnerSys and its affiliates except CE and UK CA. Subject to revisions without prior notice. E.&O.E
EMEA-EN-TD-PROS-MCC-RTC-1124

